

Model PTC

Car, Building Purpose Pressure Transducer

Description

PTC model has applied Silicon Piezoresistive cell, which attached High Temperature Glass on Titanium. It is small to be usable by automobiles or heavy equipment and it is also provided at low price. With its output of 1~5V or 4~20mA(2Wire), it may be interfaced with various controllers.

Features

- ▶ CE Certified
- ▶ Built-in amplifier Circuit(VDC, mA)
- ▶ Measuring range 0~100kgf/cm²g
- ▶ 0.5%FS accuracy
- ▶ IP55 protection(Can type)
- ▶ Piezoresistive silicon cell
- ▶ Stainless steel, Titanium, NBR media-wetted materials

Applications

- ▶ Off road equipment
- ▶ Hydraulics & Pneumatic
- ▶ Compressor control
- ▶ Industrial engines
- ▶ Pump pressure control



Specifications

Range

1, 2, 6, 10, 20, 30, 50, 100kgf/cm²

Performance

Accuracy	±0.5%FS
Linearity	±0.35%FS
Hysteresis	±0.15%FS
Repeatability	±0.15%FS
Thermal Effect on Zero	±0.05%FS/°C
Thermal Effect on Span	±0.05%FS/°C
Compensated Temperature Range	0 ~ 50°C
Operating Temperature Range	-20 ~ 80°C

Electrical

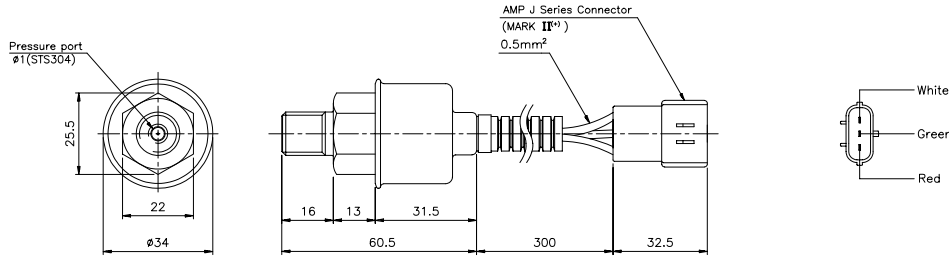
Excitation	11 ~ 28VDC
Output	1~5VDC, 4~20mA(2Wire)
Electrical Connection	Connector, Cable, AMP Connector(1~5VDC 3Wire Only), Head, Din Connector

Physical

Proof Pressure	150%FS Max.
Burst Pressure	200%FS Min.
Vibration	49.1m/s ² {5G}, 10~500Hz
Shock	490m/s ² {50G}
Pressure port	PT1/8", PF1/8", PT1/4", PF1/4", PT 3/8", PF 3/8"
Media-Wetted Materials	Stainless Steel 304, Titanium 87%, O-ring : EPDM(Optional VITON)
Weight	Approx. 130g (AMP Connector Type)

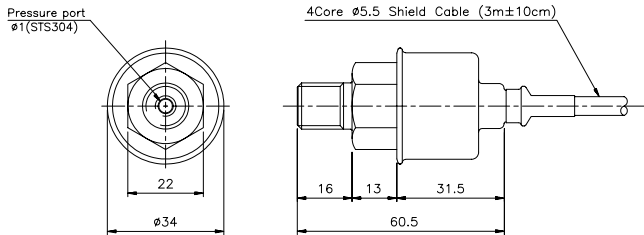
Dimension

▶ AMP Connector Type



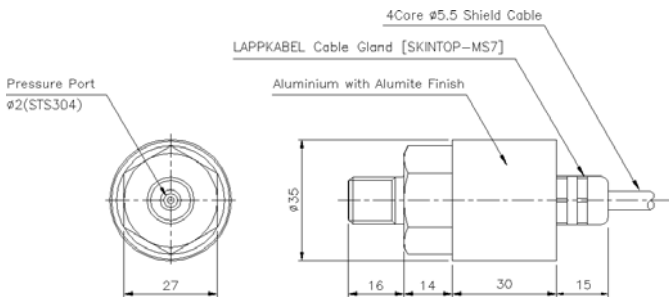
Wire Color	Connections
Red	Input \oplus
White	Common \ominus
Green	Output \oplus

▶ Cable Type



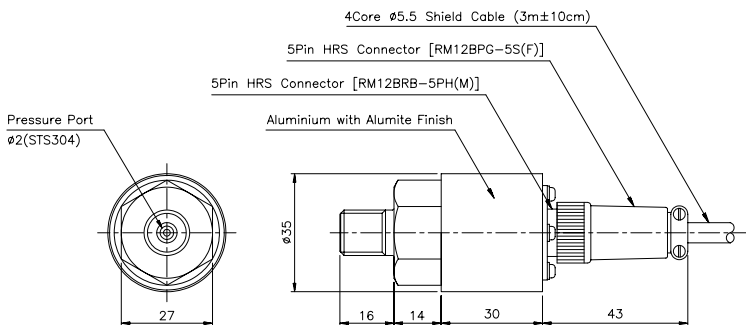
Wire Color	Connections		
	4Wire	3Wire	2Wire
Red	Input \oplus	Input \oplus	Input \oplus
White	Output \ominus	Common \ominus	×
Black	Input \ominus	×	Output \oplus
Green	Output \oplus	Output \oplus	×
Shield	Earth	Earth	Earth

▶ Cable Gland Type



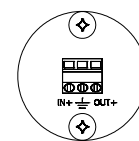
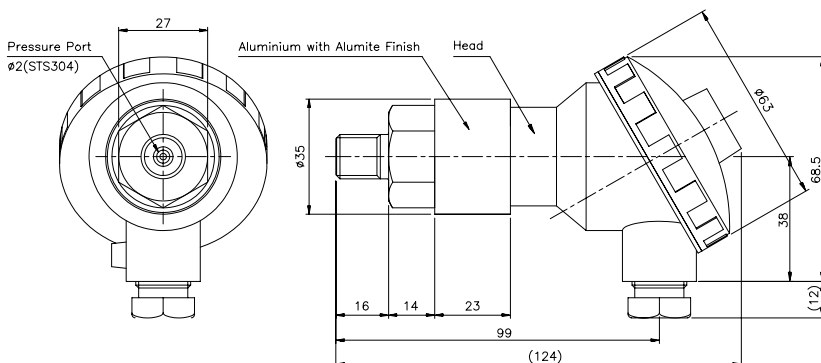
Wire Color	Connections		
	4Wire	3Wire	2Wire
Red	Input \oplus	Input \oplus	Input \oplus
White	Output \ominus	Common \ominus	×
Black	Input \ominus	×	Output \oplus
Green	Output \oplus	Output \oplus	×
Shield	Earth	Earth	Earth

▶ Connector Type



Pin No.	Wire Color	Connections		
		4Wire	3Wire	2Wire
1	Red	Input \oplus	Input \oplus	Input \oplus
2	White	Output \ominus	Common \ominus	×
3	Black	Input \ominus	×	Output \oplus
4	Green	Output \oplus	Output \oplus	×
5	Shield	Earth	Earth	Earth

▶ Head Type



Terminal

No.	Connections
	2Wire
1	Input \oplus
2	Earth
3	Output \oplus

